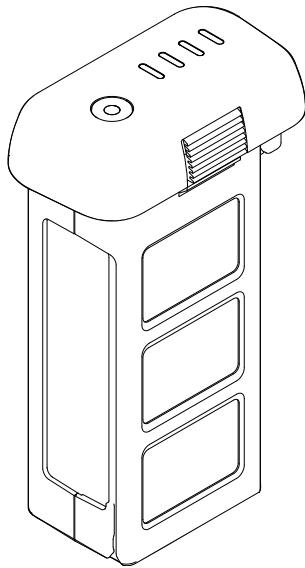


PHANTOM 3

INTELLIGENT FLIGHT BATTERY

Safety Guidelines

V1.0 2015.11



NOTICE

All instructions and other collateral documents are subject to change at the sole discretion of SZ DJI TECHNOLOGY CO., LTD. For up-to-date product information, visit <http://www.dji.com> and click on the product page for this product.

Glossary

The following terms are used throughout the product literature to indicate various levels of potential harm when operating this product:

NOTICE NOTICE: Procedures, which if not properly followed, create a possibility of physical property damage AND a little or no possibility of injury.

CAUTION CAUTION: Procedures, which if not properly followed, create the probability of physical property damage AND a possibility of serious injury.

WARNING WARNING: Procedures, which if not properly followed, create the probability of property damage, collateral damage, and serious injury OR create a high probability of superficial injury.



WARNING

Read the ENTIRE Phantom 3 user manual to become familiar with the features of this product before operating. Failure to operate the product correctly can result in damage to the product or personal property and cause serious injury.

This is a sophisticated product. It must be operated with caution and common sense and requires some basic mechanical ability. Failure to operate this product in a safe and responsible manner could result in injury or damage to the product or other property. This product is not intended for use by children without direct adult supervision. Do not use with incompatible components or alter this product in any way outside of the documents provided by SZ DJI TECHNOLOGY CO., LTD. These Safety Guidelines contain instructions for safety, operation and maintenance. It is essential to read and follow all of the instructions and warnings in the Phantom 3 user manual, prior to assembly, setup or use, in order to operate the product correctly and avoid damage or serious injury.

Intelligent Flight Battery Safety Guidelines



WARNING

To avoid fire, serious injury, and property damage, observe the following safety guidelines when using, charging, or storing your batteries.

Battery Use

- 1) **Do NOT allow the batteries to come into contact with any kind of liquid. Do NOT leave batteries out in the rain or near a source of moisture. Do NOT drop the battery into water. If the inside of the battery comes into contact with water, chemical decomposition may occur, potentially resulting in the battery catching on fire, and may even lead to an explosion.**
- 2) **Never use non-DJI batteries. Go to www.dji.com to purchase new batteries. DJI takes no responsibility for any damage caused by non-DJI batteries.**
- 3) **Never use or charge swollen, leaky, or damaged batteries. If your batteries are abnormal, contact DJI or a DJI authorized dealer for further assistance.**
- 4) **Never install or remove the battery from the aircraft when it is turned on. Do NOT insert or remove batteries if the plastic cover has been torn or compromised in any way.**
- 5) **The battery should be used in temperatures from -10°C to 40°C. Use of the battery in environments above 50°C can lead to a fire or explosion. Use of battery below -10°C can lead to permanent damage.**

- 6) Do NOT use the battery in strong electrostatic or electromagnetic environments. Otherwise, the battery control board may malfunction and cause a serious accident during flight.
- 7) Never disassemble or pierce the battery in any way or the battery may leak, catch fire, or explode.
- 8) Electrolytes in the battery are highly corrosive. If any electrolytes make contact with your skin or eyes, immediately wash the affected area with fresh running water for at least 15 minutes, and then see a doctor immediately.
- 9) DO NOT use the battery if it was involved in a crash or heavy impact.
- 10) If the battery falls into water with the aircraft during flight, take it out immediately and put it in a safe and open area. Maintain a safe distance from the battery until it is completely dry. Never use the battery again, and dispose of the battery properly as described in the Battery Disposal section below. Do NOT heat batteries. Put out any battery fire using sand or a dry powder fire extinguisher.
- 11) Do NOT put batteries in a microwave oven or in a pressurized container.
- 12) Do NOT place loose battery cells on any conductive surface, such as a metal table.
- 13) Do NOT put the loose cells in a pocket, bag or drawer where they may short-circuit against other items or where the battery terminals could be pressed against each other.
- 14) Do NOT drop or strike batteries. Do NOT place heavy objects on the batteries or charger. Avoid dropping batteries.
- 15) Clean battery terminals with a clean, dry cloth.

Battery Charging

- 1) Do NOT attach the batteries to wall outlets or car charger sockets directly, and always use a DJI approved adapter. DJI takes no responsibility if the battery is charged using a non-DJI charger.
- 2) Never leave the battery unattended during charging. Do NOT charge the battery near flammable materials or on flammable surfaces such as carpet or wood.
- 3) Do NOT charge battery immediately after flight, because the battery temperature may be too high. Do NOT charge the battery until it cools down to near room temperature. Charging the battery outside of the temperature range of 0°C-40°C may lead to leakage, overheating, or battery damage.
- 4) Disconnect the charger when not in use. Examine the charger regularly for damage to the cord, plug, enclosure, or other parts. Do NOT clean the charger with denatured alcohol or other flammable solvents. Never use a damaged charger.

Battery Storage

- 1) Keep batteries out of the reach of children and pets.
- 2) Do NOT leave the battery near heat sources such as a furnace or heater. Do NOT leave the batteries inside of a vehicle on hot days. The ideal storage temperature is 22°C-28°C.
- 3) Keep the battery dry. Never drop the battery into water.
- 4) Do NOT drop, strike, impale, or manually short-circuit the battery.
- 5) Keep the battery away from metal objects such as glasses, watches, jewelry, and hairpins.
- 6) Never transport a damaged battery or a battery with power level higher than 50%.

Battery Disposal

- 1) Dispose of the battery in specific recycling boxes only after a complete discharge. Do NOT place the battery in regular trash containers. Strictly follow your local regulations regarding the disposal and recycling of batteries.

Battery Maintenance

- 1) Never use the battery when the temperature is too high or too low.
- 2) Never store the battery in environments with a temperature higher than 60°C.

Travel Notice

- 1) Before carrying the Intelligent Flight Battery on an airline flight, it must first be fully discharged. This can be done by using your aircraft until the battery is depleted. Only discharge the battery in a fireproof location.

NOTICE

Battery Use

- 1) Make sure the batteries are fully charged before each flight.
- 2) For Phantom 3 Professional or Phantom3 Advanced users, it is recommended that you do NOT charge the Intelligent Flight Battery and remote controller at the same time.
- 3) Land the aircraft immediately when the low battery level warning activates in the DJI GO app.

Battery Charging

- 1) The Intelligent Flight Battery is designed to stop charging when it is full. However it is a good practice to monitor the charging progress and disconnect the batteries when fully charged.

Battery Storage

- 1) Discharge the battery to 40%-65% if it will NOT be used for 10 days or more. This can greatly extend the battery life.
- 2) The battery automatically discharges to below 65% when it is idle for more than 10 days to prevent it from swelling. It takes approximately 3 days to discharge the battery to 65%. It is normal that you may feel moderate heat emitting from the battery during the discharge process. Set the discharging thresholds in the DJI GO app.
- 3) The battery will enter hibernation mode if depleted and stored for a long period. When in hibernation mode, if you try to power on the battery, the battery power LED will show a solid red light and the battery level LEDs will all be off. You cannot manually turn off the battery power LED in this state. Leave the battery unattended for 5 minutes, and then the light will turn off. Recharge the battery to bring it out of hibernation.
- 4) Remove batteries from the aircraft when stored for an extended period.

Battery Disposal

- 1) If the power on/off button on the Intelligent Flight Battery is disabled and the battery cannot be fully discharged, please contact a professional battery disposal/recycling agent for further assistance.

Battery Maintenance

- 1) Never over-discharge, as this may lead to battery cell damage.
- 2) Battery life may be reduced if not used for a long time.

Travel Notice

- 1) Store Intelligent Flight Batteries in a ventilated location.

This content is subject to change.

**Download the latest version from
www.dji.com/support**



If you have any questions about this document, please contact DJI by sending a message to DocSupport@dji.com.