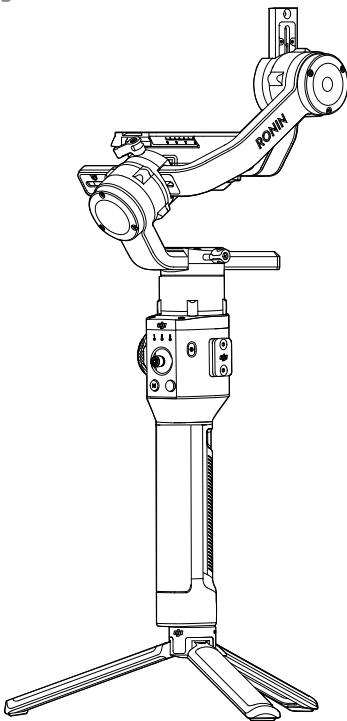


RONIN-S

Quick Start Guide

快速入门指南

V1.0

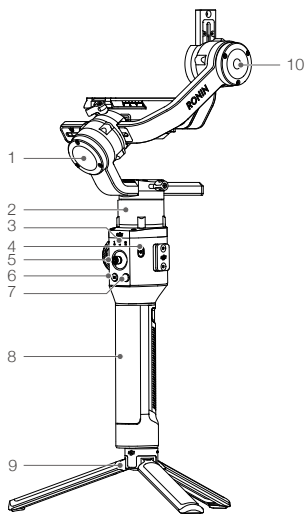


Contents

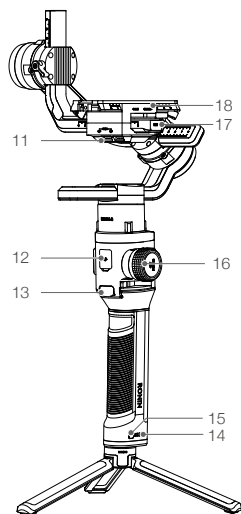
EN	Quick Start Guide	2
CH	快速入门指南	9

Ronin-S Overview

EN



1. Roll Motor
2. Pan Motor
3. Profile LED Indicators
4. Power Button
5. Joystick
6. M Button
7. Camera Control Button
8. Grip
9. Extended Grip/Tripod



10. Tilt Motor
11. 12V Accessory Power Port
12. USB-C Port
13. Trigger
14. Battery Level Indicators
15. Grip Power Button
16. Focus Wheel
17. Camera Control Port (RSS Port)
18. Camera Mounting Plate

Getting Started

A. Download the DJI RONIN™ mobile app and watch the tutorials.

Search for “Ronin” in the App Store or Google Play and follow the instructions to install the app. Watch the tutorials on the official DJI website.

<https://www.dji.com/ronin-s>



Ronin App

B. Charge the battery.

Charge the grip using the USB power adapter and USB-C cable provided by connecting to the USB-C port on the gimbal. Press the grip power button once to turn on the grip, and then press and hold the gimbal power button to turn on the gimbal.

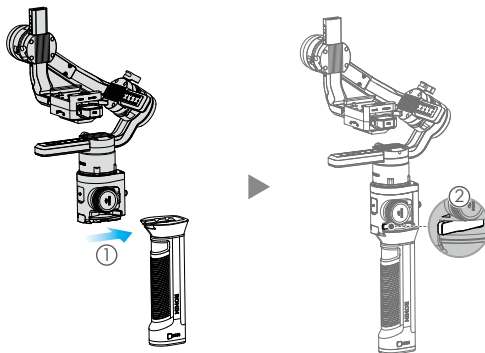
Press and hold the gimbal power button to turn off the gimbal. Press once then again and hold to turn off the grip. (The grip automatically powers off if it is not connected to the gimbal or the gimbal is not powered on for 12 hours.)

Charging Time: approx. 2 hours 15 minutes



Mounting the Grip

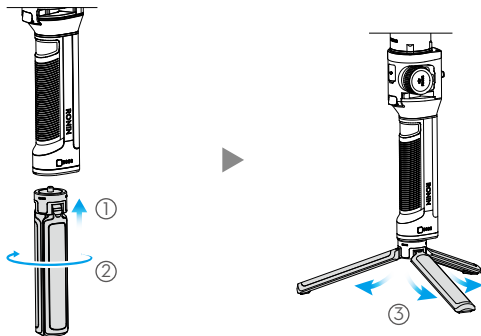
Attach the gimbal to the grip by sliding it into the dovetail mount. Toggle the lever to the locked position.



- The Ronin-S's power/data ports and connectors are not waterproof. Ensure to protect them from harmful dust and water during use to avoid damage.

Attaching the Extended Grip

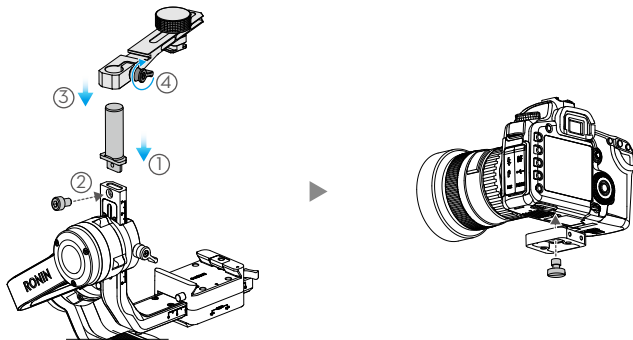
To attach the provided extended grip to the gimbal, toggle the safety lock to the locked position, and expand as shown.



Mounting the Camera

Before mounting the camera, make sure it is prepared ahead of time. Remove the lens cap and make sure the camera's battery and memory card are already inserted.

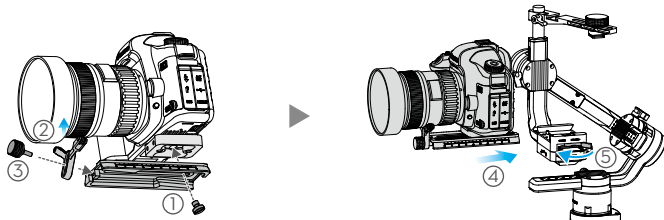
1. Attach the optional hot shoe module* to the gimbal as shown.
2. Attach the riser plate** to the bottom of the camera using a flathead screwdriver or coin.



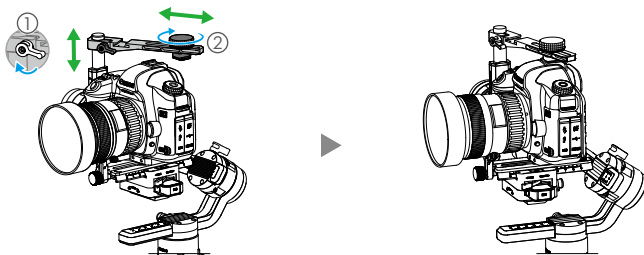
* The hot shoe module is sold separately. It is recommended to mount the camera using a hot shoe module when mounting the gimbal on a car. You can skip all the steps about the hot shoe module in this manual for handheld use.

** Mount the riser plate if needed.

3. Attach the camera dovetail plate and lens support*.
4. Slide the camera onto the camera mounting base. When a rough back and forth balance is reached, toggle the lever to the locked position after the safety lock is engaged.



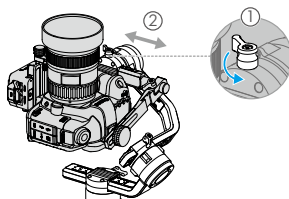
5. Attach the optional hot shoe module to the top of the camera.



Balancing

1. Balancing the Vertical Tilt

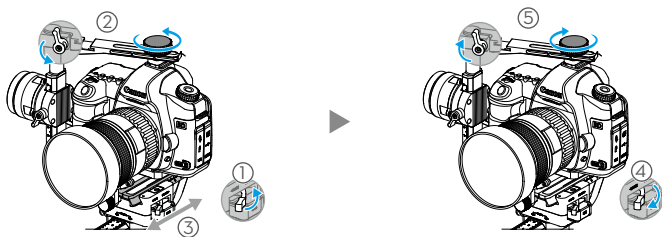
- a. Rotate the tilt axis so that the camera lens is pointing up. Hold the tilt axis motor to ensure the roll axis remains horizontal and check if the camera is top or bottom heavy.
- b. Loosen the knob (1) on the tilt motor and adjust the camera balance (2) until the camera stays still without tilting it up or down.
- c. Tighten the knob.



* For the best results during setup, use the lens support whenever possible.

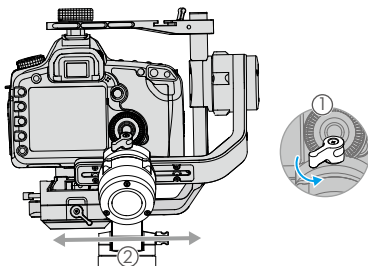
2. Balancing Depth for the Tilt Axis

- Rotate the tilt axis so that the camera lens is pointing forward. Hold the tilt motor to check if the camera is top or bottom heavy.
- Toggle the lever ① to the unlocked position and loosen the hot shoe knob ②. Adjust the camera balance ③ until the camera stays still when rotating the tilt axis 45° upwards or downwards.
- Toggle the lever ④ to the locked position ⑤ and tighten the hot shoe knob.



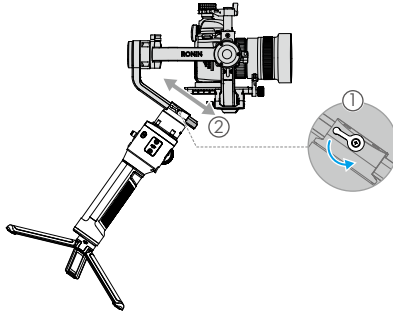
3. Balancing the Roll Axis

- Release the tilt motor to check the direction in which the motor swings.
- Loosen the roll axis knob ① and adjust the camera balance ② until the camera stays still when rotating the tilt axis 45° to the left or right.
- Tighten the knob.



4. Balancing the Pan Axis

- Grab the grip, tilt Ronin-S sideways, and check for movement along the pan axis.
- Loosen the knob ① on the pan motor. Adjust the camera balance ② until the camera stays still when rotating the pan axis 45° while lifting the grip.
- Tighten the knob.



Activating Ronin-S

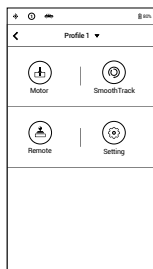
Make sure the camera is balanced before powering on Ronin-S. Do not turn on Ronin-S without a balanced load, as doing so may damage the gimbal motors.

- Press the power button once to turn on the grip, and then press and hold the gimbal power button to turn on the gimbal.
- Enable Bluetooth on your mobile device and launch the Ronin app. Select Ronin-S once it's detected.
- Make sure you are connected to the internet and follow the on-screen instructions to activate Ronin-S for the first time.



Operation

1. Auto Tune: Launch the Ronin app, go to the Motor page, and select Auto Tune. Alternatively, you can press and hold Ronin-S' M button and trigger simultaneously for four seconds to start Auto Tune. Stiffness can be adjusted manually. Strength, Filter, and Control are advanced settings and should only be adjusted if properly understood.
2. Go to the SmoothTrack page to adjust the Speed, Deadband, and Acceleration values for the pan, tilt, and roll axes. There are 3 profiles by default – slow, medium, and high speed – that you can select by tapping the M button, giving you the most appropriate setting for your shooting scenario. Tap and hold the M button to enter Sport mode.
3. Go to the Remote page to adjust the parameters for the pan, tilt and, roll axes. The joystick is already set to default: push the joystick up or down to control the movement of the tilt axis, and push it left or right to control the movement of the pan axis.
4. The camera control button accesses different functions, depending on camera model (a camera control cable connection is required):
 - a. Press halfway to auto focus, as you would for the shutter button on most DSLR cameras.
 - b. Press once to start/stop recording. Press twice to take a photo.
5. Trigger: Press and hold the trigger to enter Lock mode. Press twice to recenter the gimbal. Press three times to turn the gimbal 180° so that the camera faces you.
6. Focus Wheel: Rotate the focus wheel to control focus for supported camera models. Please refer to the user manual for details.



Specifications

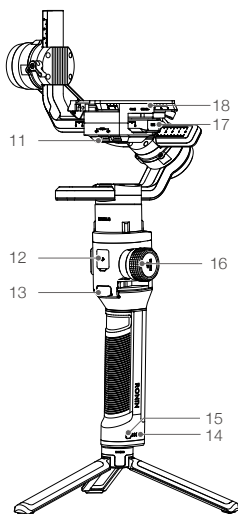
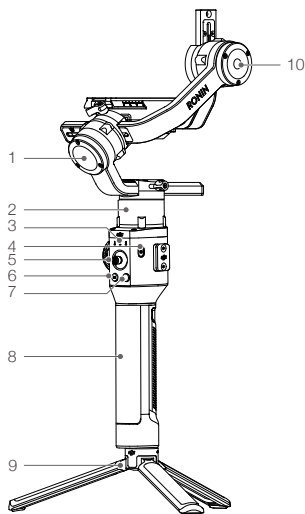
Weight	Approx. 3.3 lb (gimbal only) Approx. 4.1 lb (gimbal and grip included)
Dimensions	Approx. 202×185×486 mm
Input Power	Model: RB1-2400mAh-14.4V Type: 18650 LiPo Capacity: 2400 mAh Energy: 34.56 Wh
Working Current	Static Current: 0.16 A
Bluetooth Operating Frequency	2.4 to 2.48 GHz
Bluetooth Transmitter Power	0 dBm
Operating Temperature	-4° to 113° F (-20° to 45° C)

For more information, read the User Manual:

<http://www.dji.com/cn/ronin-s>

※ This content is subject to change without prior notice.

认识 Ronin-S



1. 横滚轴电机
2. 平移轴电机
3. 配置指示灯
4. 电源按键
5. 摇杆
6. 配置切换按键 (M 按键)
7. 相机控制按键
8. 手柄
9. 三脚架

10. 俯仰轴电机
11. 12V 电源 / 配件输出接口
12. USB-C 接口
13. 模式切换按键
14. 电量指示灯
15. 手柄电源按键
16. 跟焦轮
17. 相机控制接口
18. 相机安装底座

准备

A. 下载 RONIN™ App 和观看教学视频

请在软件商店或使用移动设备扫描二维码下载。

请在 DJI 官网观看 Ronin-S 教学视频。

<https://www.dji.com/ronin-s>



Ronin App

B. 充电

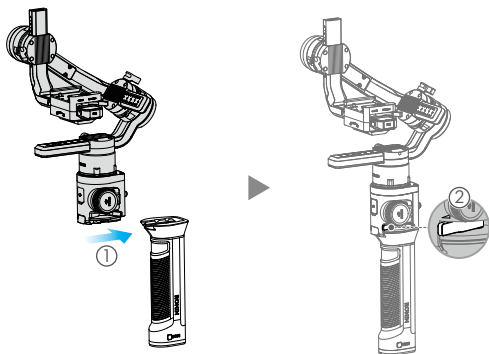
使用标配 USB 充电器和 USB-C 线给云台充电。完全充满约需时 2 小时 15 分钟。短按一次手柄电源按键开启手柄，然后长按云台电源按键开启云台。

长按云台电源按键关闭云台。短按一次，再长按手柄电源按键以关闭手柄（手柄未连接云台，或云台未开启超过 12 个小时，手柄将自动关闭）。



安装手柄

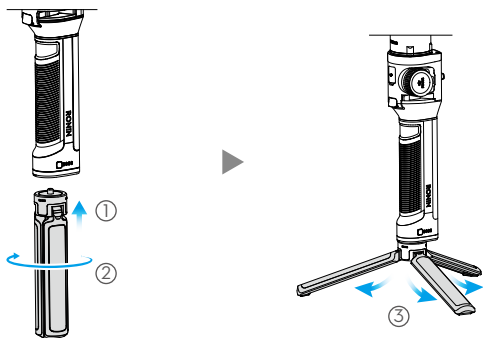
按图示将云台水平嵌入手柄接口，安装到位后锁紧侧边锁扣。



• Ronin-S 的电源 / 数据接口不防水，使用期间请注意防水、防尘，以免造成损坏。

安装手柄延长脚架（三脚架）

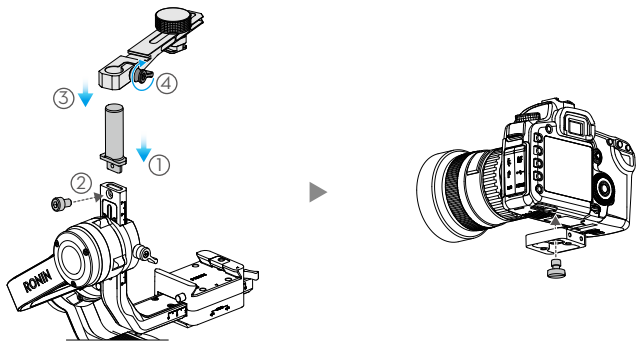
将标配手柄延长脚架与云台连接，旋转拧紧后展开脚架。



安装相机

安装相机之前，确保相机已做好拍摄准备，已移除镜头盖，电池以及内存卡已装好。

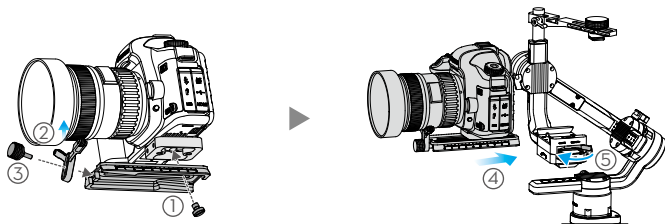
1. 安装选配热靴模块*。
2. 安装垫高模块（使用一字螺丝刀或硬币安装）**。



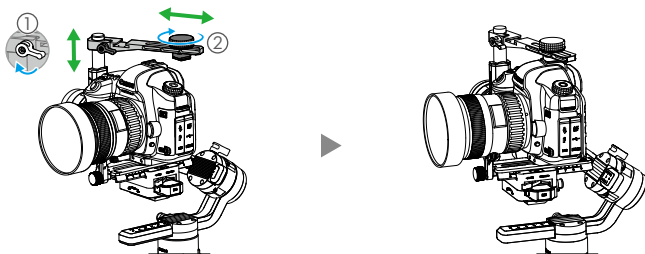
* 热靴模块需另行购买。推荐使用车载模式时安装热靴模块，确保相机安全。手持使用时可不安装热靴模块，请跳过本文提及的关于热靴模块的使用步骤。

** 根据相机大小，视情况使用垫高模块。

3. 安装相机底部安装板和镜头固定支架*。
4. 将相机嵌入云台的相机安装底座，在前后达到大致平衡时锁紧侧边锁扣。



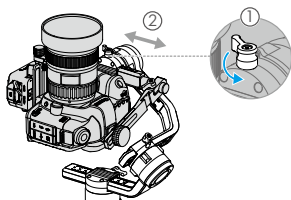
5. 调整热靴模块位置，固定热靴与相机。



平衡调节

1. 俯仰轴的垂直平衡调节

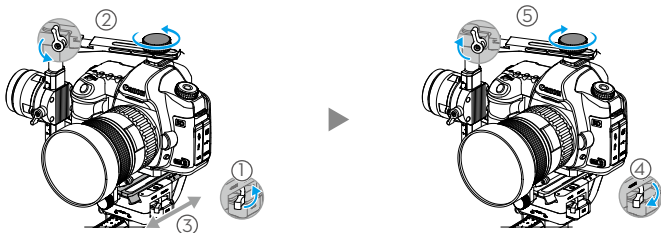
- a. 翻转相机使镜头垂直朝上，一只手固定俯仰轴电机，判断相机重心偏向。
- b. 拧松俯仰轴电机旋钮①，推拉俯仰轴力臂调整相机位置②。
- c. 拧紧旋钮，相机镜头垂直朝上时能稳定停留代表已调节平衡。



* 推荐使用过程中使用镜头固定支架以获得更好的效果。

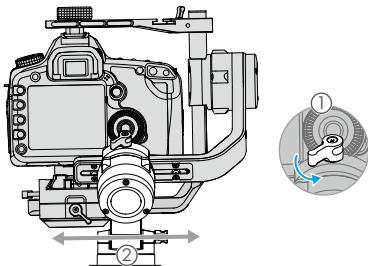
2. 俯仰轴的前后平衡调节

- 使相机镜头水平朝前，一只手固定俯仰轴电机，判断相机重心偏向。
- 打开相机安装底座锁扣 ①，拧松两个热靴固定旋钮 ②，调整相机位置 ③。
- 锁紧锁扣 ④，拧紧热靴固定旋钮 ⑤。使相机向上或向上倾斜 45°，若相机能稳定停留，表示已调节平衡。



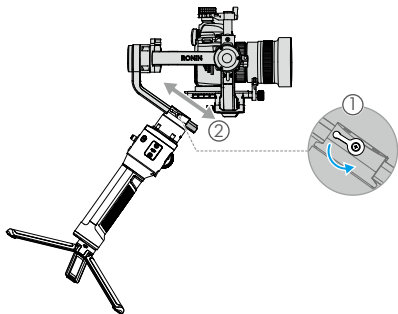
3. 横滚轴的平衡调节

- 判断相机重心偏移方向。
- 拧松横滚轴旋钮 ①，推拉横滚轴力臂调整相机位置 ②。
- 使相机向左或向右倾斜 45°，若相机能稳定停留，表示已调节平衡。



4. 平移轴的平衡调节

- 握住云台向前侧斜，观察相机在平移轴旋转方向。
- 拧松平移轴旋钮 ①，拉伸平移轴力臂调整相机位置 ②。
- 拧紧旋钮，若云台平移轴在任意角度都能保持静止不动，表示已调节平衡。



激活

开启云台电源之前，确保相机已调节平衡。未调节平衡时开启云台电源有可能损坏电机。

- 开启手柄电源之后，再长按云台电源按键，开启云台。
- 开启移动设备蓝牙功能。
- 运行 Ronin App，在设备列表中选择“Ronin-S”，按提示激活。激活过程中需连接互联网。



使用

1. 运行 Ronin App 进入电机设置页面，选择自动校准；或同时按住云台 M 按键与模式切换按键 4S。配置指示灯绿灯闪烁表示开始校准。
2. 在 Ronin App 设置电机力度值、SmoothTrack 参数。用户可设置并保存三组配置参数（出厂默认已设置好慢、中、快三组参数），短按 M 按键则可切换配置参数。长按 M 按键进入运动模式。
3. 进入遥控设置界面，设置遥控参数与配置通道。默认上下推动摇杆控制俯仰轴运动，左右推动摇杆控制横滚轴运动。
4. 根据相机型号不同，相机控制按键有以下功能（需使用相机控制线连接云台相机控制接口）：
 - a. 半按压相机控制按键自动对焦。
 - b. 按压相机控制按键开始或停止录影。双击相机控制按键拍照。
5. 模式切换按键：长按进入锁定模式；双击云台回中；三击云台进入自拍模式。
6. 跟焦轮：转动跟焦轮控制相机对焦（支持跟焦轮对焦功能的相机列表请详见 Ronin-S 用户手册）。



规格参数

重量	约 1.50 kg (仅含云台) 约 1.86 kg (含云台、手柄)
尺寸	约 202 × 185 × 486 mm
手柄内置电池	型号：RB1-2400 mAh-14.4 V 类型：18650 LiPo 容量：2400 mAh 能量：34.56 Wh
工作电流	静态电流：0.16 A
工作频率	2.4 GHz -2.48 GHz
发射功率	0 dBm
工作环境温度	-20°C 至 45°C

了解产品详细信息，请访问以下网址下载《用户手册》

<http://www.dji.com/cn/ronin-s>

※ 内容如有更新，恕不另行通知。

DJI Support
DJI 技术支持

<http://www.dji.com/support>

RONIN is a trademark of DJI OSMO.
Copyright © 2018 DJI OSMO All Rights Reserved.

Printed in China.



YC.BZ.SS000528.01