

M210/M210 RTK

Dimensions

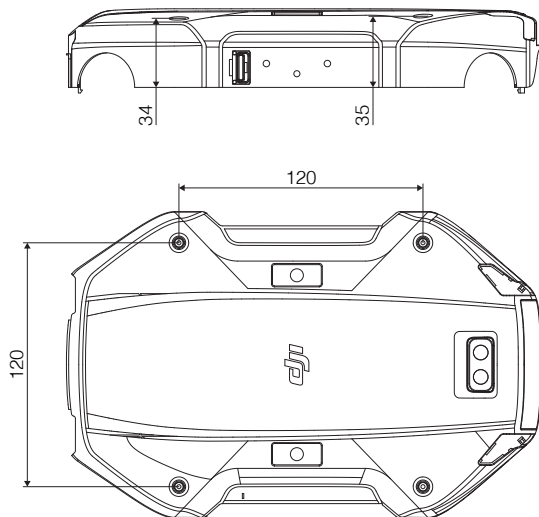
V1.0 2017.08



M210/M210 RTK Dimensions

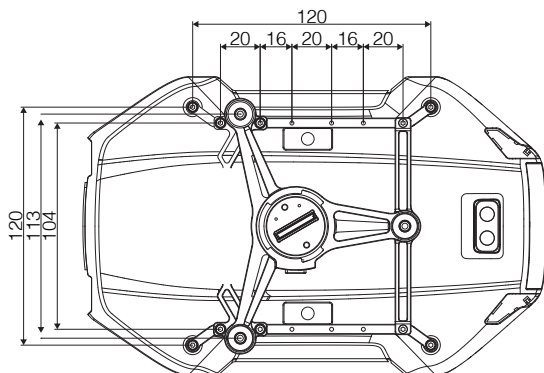
The dimensions of the aircraft and its accessories are illustrated below. Choose the appropriate screw length and screw size according to the depth of the screw hole. Using screws that are too long or too large may damage the internal structure.

M210 Aircraft Top Shell Dimensions



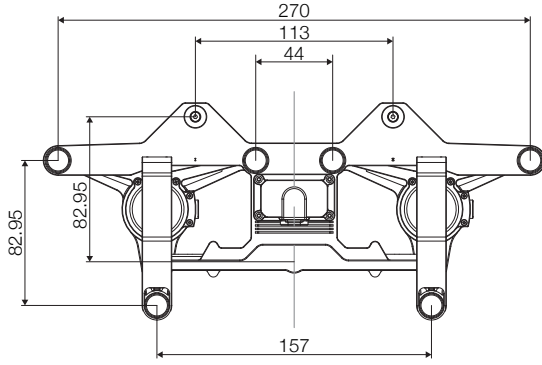
Unit: mm

M210 RTK Aircraft Top Shell and Single Upward Gimbal Dimensions



Unit: mm

Dual Upward Gimbal Dimensions



Unit: mm

This content is subject to change.

Download the latest version from
<http://www.dji.com/matrice-200-series>

If you have any questions about this document, please contact DJI by sending a message to DocSupport@dji.com.

© 2017 DJI All Rights Reserved.

