

MATRICE 210 V2

Single Upward Gimbal Connector

User Guide

使用说明

v1.2 2019.04



Disclaimer and Warning

Congratulations on purchasing your new DJI™ product. The information in this document affects your safety and your legal rights and responsibilities. Read this entire document carefully to ensure proper configuration before use. Failure to read and follow instructions and warnings in this document may result in serious injury to yourself or others, damage to your DJI product, or damage to other objects in the vicinity. This document and all other collateral documents are subject to change at the sole discretion of DJI.

By using this product, you hereby signify that you have read this disclaimer and warning carefully and that you understand and agree to abide by the terms and conditions herein. You agree that you are solely responsible for your own conduct while using this product, and for any consequences thereof. You agree to use this product only for purposes that are proper and in accordance with all applicable laws, rules, and regulations, and all terms, precautions, practices, policies and guidelines DJI has made and may make available.

DJI accepts no liability for damage, injury or any legal responsibility incurred directly or indirectly from the use of this product. The user shall observe safe and lawful practices including, but not limited to, those set forth in this document.

Notwithstanding above, your statutory rights under applicable national legislation are not affected by this disclaimer.

DJI is a trademark of SZ DJI TECHNOLOGY CO., LTD. (abbreviated as "DJI") and its affiliated companies. Names of products, brands, etc., appearing in this document are trademarks or registered trademarks of their respective owner companies. This product and document are copyrighted by DJI with all rights reserved. No part of this product or document shall be reproduced in any form without prior written consent of or authorization from DJI.

Introduction

The Single Upward Gimbal Connector is used to mount a compatible camera to the top of the MATRICE™ 210 V2 / Matrice 210 RTK V2 aircraft. Its design gives it an IP43 Ingress Protection (only when equipped with a waterproof camera), in accordance with the global IEC 60529 standard. The ZENMUSE™ X4S, X5S, X7, XT, XT2, Z30 and DJI Payload SDK products are supported.

In the Box

Single Upward Gimbal Connector × 1
M2.5×14.2 Screw × 8
H2.0 L-type Wrench × 1

Installation

1. Place the single upward gimbal connector on the top of the aircraft, make sure that the four screw holes align with the upward gimbal mounting position on the aircraft.
2. Use the wrench to tighten the screws to ensure that the single upward gimbal connector is securely mounted.
3. Connect the single upward gimbal connector to the aircraft's DGC2.0 gimbal connector I.



- Please make sure that the single upward gimbal connector and the payload are properly and securely mounted before takeoff. DJI is not liable for the falling of the aircraft or damage to any parts due to incorrect installation or loose screws.
- A GPS kit is required when a single upward gimbal is used on the Matrice 210 V2. It is not required on the Matrice 210 RTK V2.
- When not used with the upward gimbal, it is recommended to remove the single upward gimbal connector from the aircraft. Otherwise, the aircraft could be damaged during operation or transportation. If the quick release connector is still attached to the upward gimbal bracket, the cable may block the propellers during flight and cause the aircraft to fall, or the damper in the connector could be under excessive pressure when transporting the aircraft in the carrying case.



Use the Zenmuse XT Gimbal Adapter to mount the Zenmuse XT gimbal onto the aircraft.

免责声明

感谢您购买 DJI™ 产品。本文所提及的内容关系到您的安全以及合法权益与责任。使用本产品之前，请仔细阅读本文以确保已对产品进行正确的设置。不遵循和不按照本文的说明与警告来操作可能会给您和周围的人带来伤害，损坏本产品或其它周围的物品。本文档及本产品所有相关的文档最终解释权归大疆™ 创新（DJI）所有。如有更新，恕不另行通知。请访问 www.dji.com 官方网站以获取最新的产品信息。

一旦使用本产品，即视为您已经仔细阅读免责声明与警告，理解、认可和接受本声明全部条款和内容。您承诺对使用本产品以及可能带来的后果负全部责任。您承诺仅出于正当目的使用本产品，并且同意本条款以及大疆创新（DJI）制定的任何相关条例、政策和指引。

大疆创新（DJI）对于直接或间接使用本产品而造成的损坏、伤害以及任何法律责任不予负责。用户应遵循包括但不限于本文提及的所有安全指引。

即使存在上述规定，消费者权益依然受当地法律法规所保障，并不受本免责声明影响。

DJI 是深圳市大疆创新科技有限公司及其关联公司的商标。本文出现的产品名称、品牌等，均为其所属公司的商标或注册商标。

简介

MATRICE™ 210 V2 系列上置云台套件用于安装云台相机至 Matrice 210 V2 / Matrice 210 RTK V2 飞行器顶部。上置云台套件防护等级可达 IP43（参照 IEC 60529 标准，仅搭配具备防水能力的相机时），支持 ZENMUSE™ X4S, X5S, X7, XT, XT2 和 Z30 云台相机，以及 DJI Payload SDK 负载。

物品清单

上置云台套件 × 1

M2.5 × 14.2 螺丝 × 8

H2.0 L 型扳手 × 1

安装

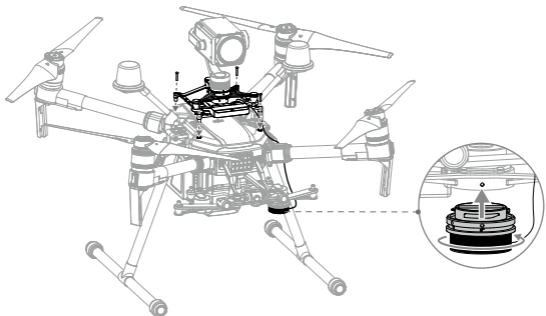
1. 将上置云台套件放置在飞行器上侧，使四个螺孔与飞行器上的上置云台安装位对齐。
2. 使用扳手锁紧螺丝，确保安装支架稳固。
3. 连接上置云台快拆接口至飞行器 DGC2.0 云台接口 I。



- 起飞前请务必确保上置云台套件及负载已正确并稳固安装。由于用户安装错误或螺丝未锁紧造成的部件损坏或飞行器坠落，需自行承担 responsibility。
- 若 Matrice 210 V2 安装上置云台，需额外安装外置 GPS 套件。Matrice 210 RTK V2 无需安装外置 GPS 套件。
- 不使用上置云台时，建议从飞行器上拆卸上置云台套件。飞行或者收纳入包装箱时请勿将快拆接口连接至上置云台支架上，否则飞行时连接线可能碰到桨叶导致飞行器坠落，运输时上置云台支架的减震球会受到挤压。



Zenmuse XT 云台转接件可用于辅助安装 Zenmuse XT 云台相机到飞行器上。



Compliance Information

FCC Compliance

This device complies with Part 15 of the FCC Rules. Operation is subject to the following two conditions: (1) This device may not cause harmful interference, and (2) This device must accept any interference received, including interference that may cause undesired operation.

Any changes or modifications not expressly approved by the party responsible for compliance could void the user's authority to operate the equipment.

EU Compliance Statement: SZ DJI TECHNOLOGY CO., LTD. hereby declares that this device is in compliance with the essential requirements and other relevant provisions of the Directive 2014/30/EU.

A copy of the EU Declaration of Conformity is available online at www.dji.com/euro-compliance

EU contact address: DJI GmbH, Industriestrasse 12, 97618, Niederlauer, Germany

Declaración de cumplimiento UE: SZ DJI TECHNOLOGY CO., LTD. por la presente declara que este dispositivo cumple los requisitos básicos y el resto de provisiones relevantes de la Directiva 2014/30/EU.

Hay disponible online una copia de la Declaración de conformidad UE en www.dji.com/euro-compliance

Dirección de contacto de la UE: DJI GmbH, Industriestrasse 12, 97618, Niederlauer, Germany

EU-verklaring van overeenstemming: SZ DJI TECHNOLOGY CO., LTD. verklaart hierbij dat dit apparaat voldoet aan de essentiële vereisten en andere relevante bepalingen van Richtlijn 2014/30/EU.

De EU-verklaring van overeenstemming is online beschikbaar op www.dji.com/euro-compliance

Contactadres EU: DJI GmbH, Industriestrasse 12, 97618, Niederlauer, Germany

Declaração de conformidade da UE: A SZ DJI TECHNOLOGY CO., LTD. declara, através deste documento, que este dispositivo está em conformidade com os requisitos essenciais e outras disposições relevantes da Diretiva 2014/30/EU.

Existe uma cópia da Declaração de conformidade da UE disponível online em www.dji.com/euro-compliance

Endereço de contacto na UE: DJI GmbH, Industriestrasse 12, 97618, Niederlauer, Germany

Dichiarazione di conformità UE: SZ DJI TECHNOLOGY CO., LTD. dichiara che il presente dispositivo è conforme ai requisiti essenziali e alle altre disposizioni rilevanti della direttiva 2014/30/EU.

Una copia della dichiarazione di conformità UE è disponibile online all'indirizzo Web www.dji.com/euro-compliance

Indirizzo di contatto UE: DJI GmbH, Industriestrasse 12, 97618, Niederlauer, Germany

Déclaration de conformité UE : Par la présente, SZ DJI TECHNOLOGY CO., LTD déclare que cet appareil est conforme aux principales exigences et autres clauses pertinentes de la directive européenne 2014/30/EU.

Une copie de la déclaration de conformité UE est disponible sur le site www.dji.com/euro-compliance

Adresse de contact pour l'UE : DJI GmbH, Industriestrasse 12, 97618, Niederlauer, Germany

EU-Compliance: Hiermit erklärt SZ DJI TECHNOLOGY CO., LTD., dass dieses Gerät den wesentlichen Anforderungen und anderen einschlägigen Bestimmungen der EU-Richtlinie 2014/30/EU entspricht.

Eine Kopie der EU-Konformitätserklärung finden Sie online auf www.dji.com/euro-compliance.

Kontaktadresse innerhalb der EU: DJI GmbH, Industriestrasse 12, 97618, Niederlauer, Germany



Environmentally friendly disposal

Old electrical appliances must not be disposed of together with the residual waste, but have to be disposed of separately. The disposal at the communal collecting point via private persons is for free. The owner of old appliances is responsible to bring the appliances to these collecting points or to similar collection points. With this little personal effort, you contribute to recycle valuable raw materials and the treatment of toxic substances.

Umweltfreundliche Entsorgung

Elektro-Altgeräte dürfen nicht mit gewöhnlichem Abfall entsorgt werden und müssen separat entsorgt werden. Die Entsorgung an kommunalen Sammelstellen ist für Privatpersonen kostenlos. Die Eigentümer der Altgeräte sind für den Transport zu den Sammelstellen verantwortlich. Durch diesen geringen Aufwand können Sie zur Wiederverwertung von wertvollen Rohmaterialien beitragen und dafür sorgen, dass umweltschädliche und giftige Substanzen ordnungsgemäß unschädlich gemacht werden.

Tratamiento de residuos responsable con el medio ambiente

Los aparatos eléctricos viejos no pueden desecharse junto con los residuos orgánicos, sino que deben ser desechados por separado. Existen puntos limpios donde los ciudadanos pueden dejar estos aparatos gratis. El propietario de los aparatos viejos es responsable de llevarlos a estos puntos limpios o similares puntos de recogida. Con este pequeño esfuerzo estás contribuyendo a reciclar valiosas materias primas y al tratamiento de residuos tóxicos.

Mise au rebut écologique

Les appareils électriques usagés ne doivent pas être éliminés avec les déchets résiduels. Ils doivent être éliminés séparément. La mise au rebut au point de collecte municipal par l'intermédiaire de particuliers est gratuite. Il incombe au propriétaire des appareils usagés de les apporter à ces points de collecte ou à des points de collecte similaires. Avec ce petit effort personnel, vous contribuez au recyclage de matières premières précieuses et au traitement des substances toxiques.

Smaltimento ecologico

I vecchi dispositivi elettrici non devono essere smaltiti insieme ai rifiuti residui, ma devono essere smaltiti separatamente. Lo smaltimento da parte di soggetti privati presso i punti di raccolta pubblici è gratis. È responsabilità del proprietario dei vecchi dispositivi portarli presso tali punti di raccolta o punti di raccolta analoghi. Grazie a questo piccolo impegno personale contribuirete al riciclo di materie prime preziose e al corretto trattamento di sostanze tossiche.

Milieuvriendelijk afvoeren

Oude elektrische apparaten mogen niet worden weggegooid samen met het restafval, maar moeten afzonderlijk worden afgevoerd. Afvoeren via het gemeentelijke inzamelpunt is gratis voor particulieren. De eigenaar van oude toestellen is verantwoordelijk voor het inleveren van de apparaten op deze of vergelijkbare inzamelpunten. Met deze kleine persoonlijke inspanning lever je een bijdrage aan de recycling van waardevolle grondstoffen en de verwerking van giftige stoffen.

Eliminação ecológica

Os aparelhos elétricos antigos não podem ser eliminados juntamente com os materiais residuais. Têm de ser eliminados separadamente. A eliminação no ponto de recolha público através de entidades particulares é gratuita. É da responsabilidade do proprietário de aparelhos antigos levá-los a estes pontos de recolha ou a pontos de recolha semelhantes. Com este pequeno esforço pessoal, contribui para a reciclagem de matérias-primas úteis e para o tratamento de substâncias tóxicas.

IC Compliance

This device complies with ICES-003 standard. Operation is subject to the following two conditions: (1) this device may not cause interference, and (2) this device must accept any interference, including interference that may cause undesired operation of the device.

CAN ICES-3(B)/NMB-3(B)

部件名称	有害物质					
	铅 (Pb)	汞 (Hg)	镉 (Cd)	六价铬 (Cr ⁶⁺)	多溴联苯 (PBB)	多溴二苯醚 (PBDE)
线路板	x	o	o	o	o	o
外壳	x	o	o	o	o	o
金属部件 (铜合金)	x	o	o	o	o	o
内部线材	x	o	o	o	o	o
其他配件	x	o	o	o	o	o

本表格依据 SJ/T 11364 的规定编制。
o：表示该有害物质在该部件所有均质材料中的含量均在 GB/T 26572 规定的限量要求以下。
x：表示该有害物质至少在该部件的某一均质材料中的含量超出 GB/T 26572 规定的限量要求。
(产品符合欧盟 ROHS 指令环保要求)

This content is subject to change.

Download the latest version from

<http://www.dji.com/matrice-200-series-v2>

MATRICE is a trademark of DJI.

Copyright © 2019 DJI All Rights Reserved.

Printed in China.

YC.BZ.SS000909.02